

HTS200 High Performance Temperature Sensors



HTS201

(Smart Integrated Type)

Characters:

- ☆ Simple installation and multifarious-temp scope
- ☆ Gas and liquid medium available
- ☆ Medium compatible 316L stainless steel
- ☆ Excellent long time stability and lower consumption
- ☆ Smaller dimension and Compact structure
- ☆ Response fast and high accuracy
- ☆ Various linear analog signal output optional
- ☆ Highly-efficient RFI & EMI resistance
- ☆ Automotive compensation digital circuits
- ☆ And so on

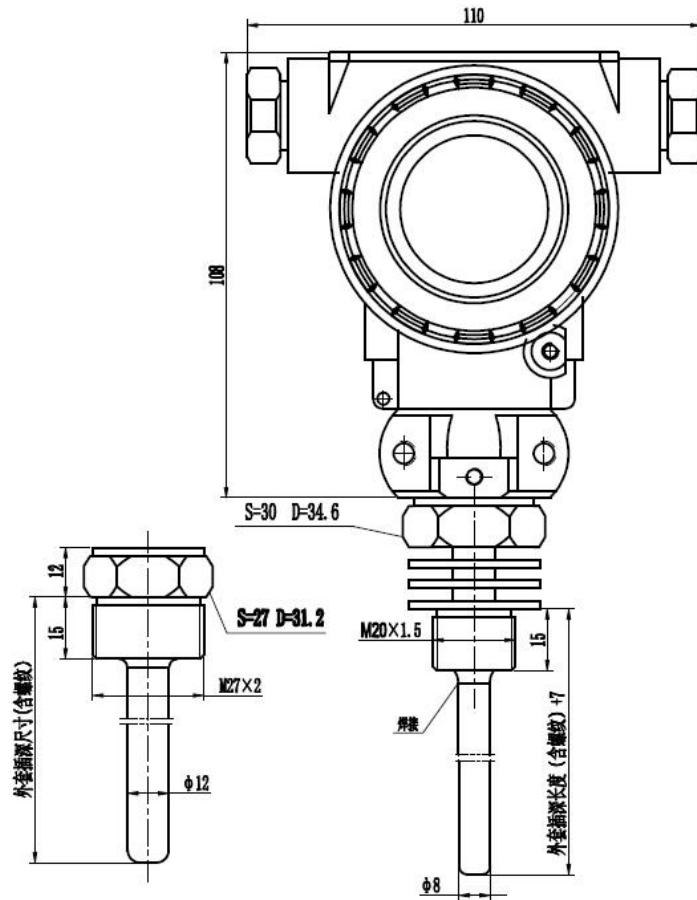
Applications:

- ★ pipeline and ventilation system
- ★ Hydraulic and pneumatic system
- ★ Petrochemical industry
- ★ Hydraulic and pneumatic systems
- ★ Cooling system
- ★ Heating system
- ★ Air Conditioning System (HAVC)
- ★ Automatic system temperature measurement and control
- ★ Agricultural Greenhouses application
- ★ And so on

I . Specifications:

Model:	HTS201
Parameter:	
Measurement Range (Degree C/ °C):	-50~0; -50~50; 0~80; 0~100; 0~120; 0~150; 0~200; 0~250; 0~300 optional
Installation Type:	Insert type
Probe length:	50 mm or customized
Probe Dimension:	Φ8
Sensor Type:	PT100; Pt1000
Signal Output:	4-20 mA + HART or 4-20 mA +RS485 optional
Signal wires type:	2 to 4 wires
Power supply:	24Vdc
Accuracy	0.5%F.S.
Working pressure:	40Bar (standard); 300 Bar (customized)
Long time stability:	0.1%F.S.
Response time:	T=50 2.3S; T=90 5.4S
Electronic proof:	Reverse polarity protection; Overload voltage protection (standard); surge protection (customized)
Environment temp:	-40~85 Degree C
Storage temp:	-40~125 Degree C
Materials of housing:	316L Stainless Steel
Materials of process:	316L Stainless Steel
Water proof grade:	IP67
Explosion Proof:	Yes
Display Units:	LED Indicator Local Display Temp and Panel with 3 keys for Zero and Span setting

II . Dimension and Drawing:



HTS201 Dimension

III. Model Code Selection Table:

HTS		High Performance Temperature Transmitter					
	201	Smart Temperature Transmitter					
		Range Code	Temp range	Ref.	Range code	Temp range	Ref.
		01	-50~0	101/102/104	06	0~200	101/102/104
		02	-50~+50	101/102/104	07	0~250	101/102/104
		03	0~80	101/102/104	08	0~300	103/104
		04	0~100	101/102/104	09	0~400	103/104
		05	0~150	101/102/104	10	By customized	103/104
		Code	Accuracy				
		1	0.5%F.S. (standard type)				

					Code	Process connection					
					8	M20x1.5 male		9	G1/2" male		
					6	G1/4" male		3	1/4"NPT male		
					10	1/2"NPT male		X	By customized		
					Code	Signal Output & Power Supply					
					E14	4-20 mA +HART					
					E19	4-20 mA + RS485 MODBUS RTU					
					X	By Customized					
					Code	Electronic Connection					
					M20	M20*1.5 Female					
					X	By Customized					
					Code	Probe Length (mm)					
					050	50 mm					
					XXX	By customized					
					Code	Probe Diameter (mm)					
					6	6 mm					
					8	8 mm					
					Code	Temp Units					
					C	Degree C/ °C					
					F	°F					
					Code	Cable Length (meter)					
					003	3 meters					
					XXX	By Customized					
HTS	201	04	1	2	E14	M20	050	6	C	003	Others Remarks

Example Model Code: HTS201-04-1-2-E14-M20-050-6-C-003(3 Meters cable)